

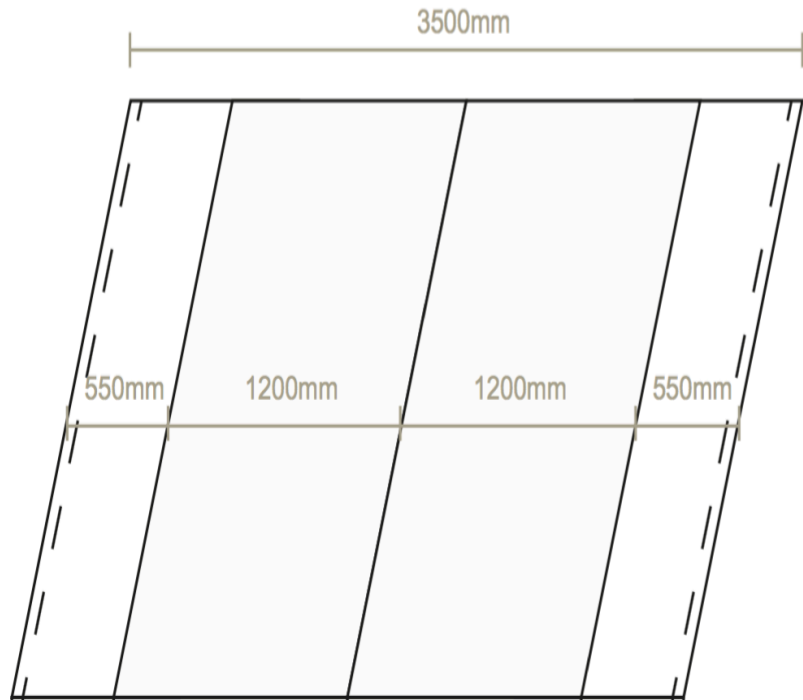


BLINDS • AWNINGS • HOMEWARES • ACCESSORIES

Fabric Joins – Vertical Awning

Docril Fabric

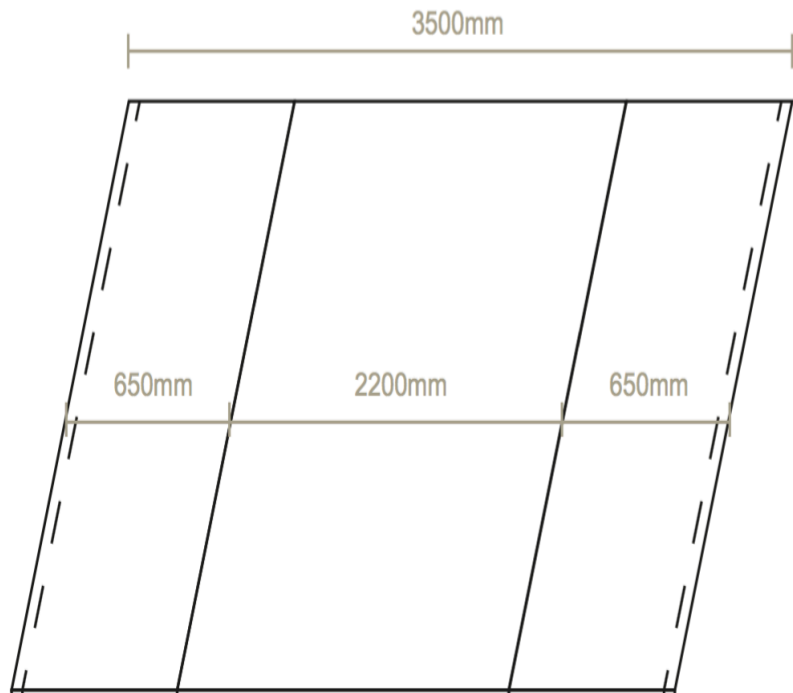
Docril comes in section widths of 1200mm and is joined vertically to make the desired overall width. Therefore there is a double stitched seam where each section is joined.



Brella Block-out Canvas

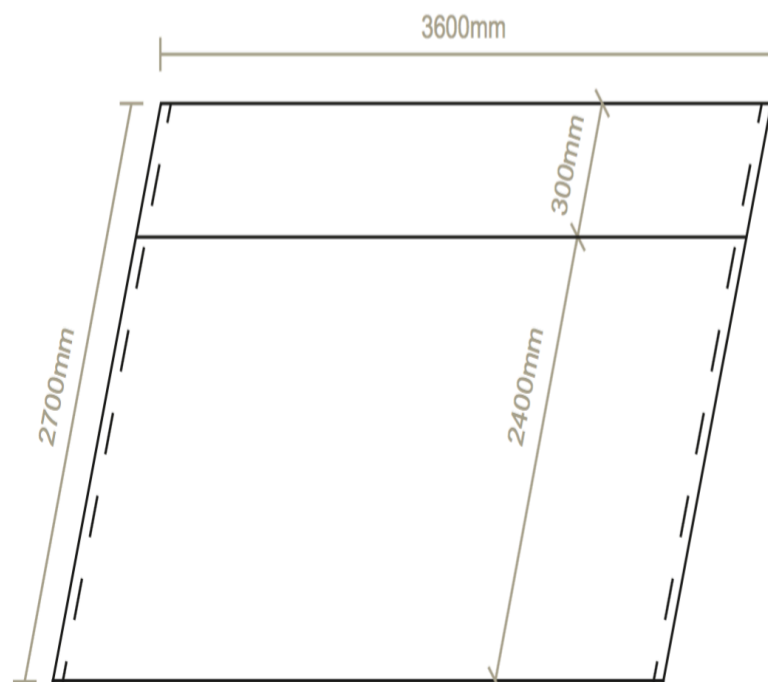
The canvas fabric comes in section width of 2200mm. They are joined vertically to make the desired overall width of the awning, with the largest piece in the middle.

Please note: For Striped fabrics, vertical joins will be offset. I.e. for a 2600mm wide awning a 2200mm piece will be joined to a 400mm piece.



Outlook Fabric

Outlook fabric for awnings with widths >2900mm and also heights >2400mm will have a bonded seam that runs horizontally.



Clear and Tint PVC

