

How To Measure Vertical Blinds



Important:

- Use a metal tape measure
- Measure in millimeters
- Write down your measurements as width x height e.g. 1000mm W x 1800mm H
- Measure every window as they usually have a slight variation that will affect your blind from fitting perfectly

Measuring your windows to fit vertical blinds is easy.

There are three ways to measure depending on your window design and how you would like to mount your blind.

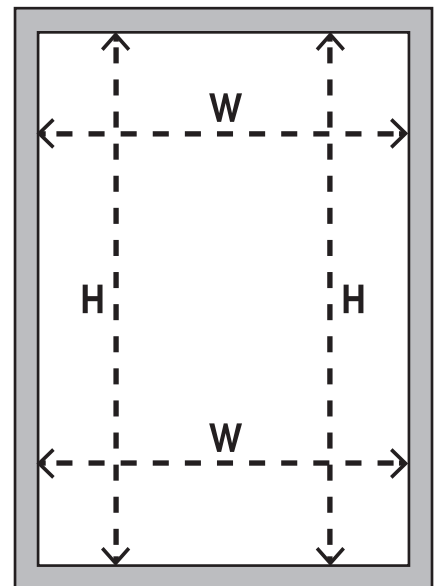
1. Inside Mounting

In this scenario the blind will sit within the window frame.

1.1 Measure the width (W) inside the window frame from one edge to the other on both the top and bottom of the window frame. Record the smaller of the two measurements.

1.2 Measure the height (H) from the top edge to the bottom edge on both the left and right side of the window frame. Record the smaller of the two measurements.

1.3 Measure the minimum depth (D) of the window frame. Please note that the minimum depth is smallest distance to the outside edge of the frame including any objects in the window such as handles or sliding door frames. Refer to note for minimum requirements.



Note:

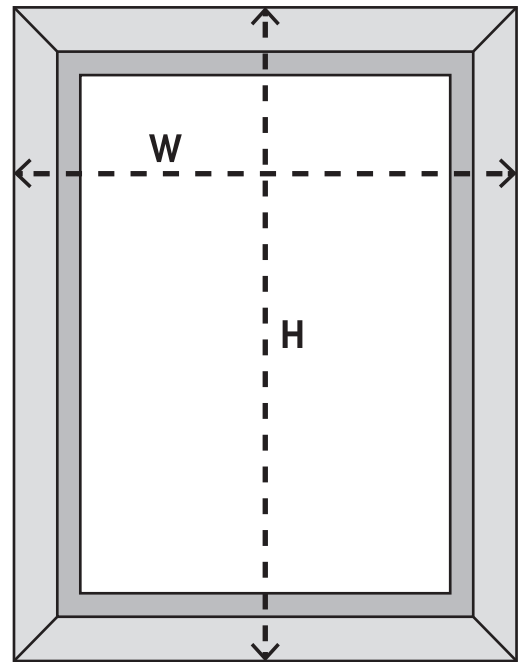
- A deduction of 5mm is taken from the width of the blind by the factory to ensure that it fits inside the frame
- For 89mm blades please ensure the minimum depth of the frame is greater than 75mm
- For 127mm blades please ensure the minimum depth of the frame is greater than 90mm

2. Outside Mount (with architraves)

In this scenario the blind will sit on the architraves outside the window frame.

2.1 Measure with width (W) from one edge of the architrave to the other at the top of the window.

2.2 Measure the height (H) from one edge of the architrave to the other in the middle of the window.



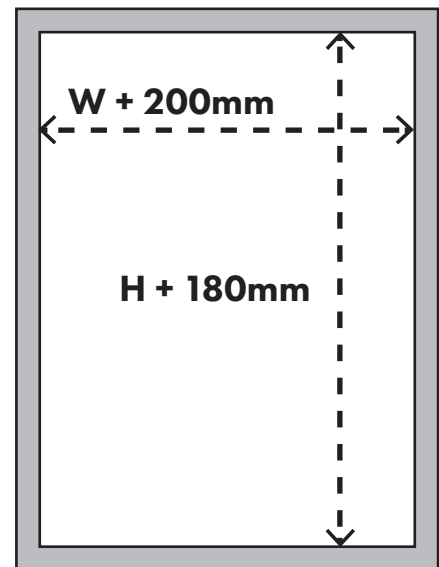
3. Outside Mount (without architraves)

3.1 Measure the width (W) inside the top of window frame from one edge to the other. Add 200mm to deliver a fabric overlap of approximately 100mm each side.

3.2 Measure the height (H) in the center from the top edge to the bottom edge of the window frame. Add 180mm to this measurement to provide complete coverage of the window.

Note

- Vertical blinds require many wall brackets, structural fixing points may not always be possible, appropriate gyprock anchors must be used



Questions

For any questions please contact our customer service team on 1800 750 951 (Mon-Friday 9-5pm) or at shop@baha.com.au